



# X16 Controller

Specification

## X16

### Overview

X16 is a professional LED display controller. It possesses powerful video signal receiving, splicing and processing capacities, and supports multiple signal inputs up to 4096×2160 pixels. It supports HDMI, DVI and SDI, and seamless switching between signals. It supports splicing, broadcast quality scaling, and 7 PIPs.

X16 adopts 16 Gigabit Ethernet outputs, and it supports large LED displays of 8192 pixels in maximum width and 4096 pixels in maximum height. Meanwhile, X16 is equipped with a series of versatile functions which can provide flexible screen control and high-quality image displays. It can be perfectly applied to high-end rental displays and high-resolution LED displays.

### Features

- Supports various digital signal ports, including 2×SDI, 1×HDMI2.0 and 4×DVI;
- Supports input resolutions up to 4096×2160@60Hz;
- Loading capacity: 8.88 million, maximum width: 8192 pixels, maximum height: 4096 pixels;
- Supports arbitrary switching of video sources; the input images can be spliced and scaled according to the screen resolution;
- Supports 7 PIPs, the location and size can be adjusted freely;
- Supports HDCP 2.2;
- Dual USB2.0 for high speed configuration and easy cascading among controllers;

- Supports brightness and color temperature adjustment;
- Supports better gray at low brightness;
- Compatible with all receiving cards, multifunction cards, and optical fiber transceivers of Colorlight

## Hardware

### The Front Panel



No.	Name	Function
1	3.5-inch LCD	Displays the operation menu and system information
2	Knob	Turn knob to select or adjust
3	Function Keys	OK: Enter key ESC: Escape current operation or selection Bright: Brightness option Black: Blank screen Lock: Lock keys
4	Selection Keys	DVI1/DVI2/DVI3/DVI4/SD1/SD2/HDMI: Video source selection Mode: Output mode selection of images Freeze: Freeze screen
5	Power Switch	Power switching for equipment

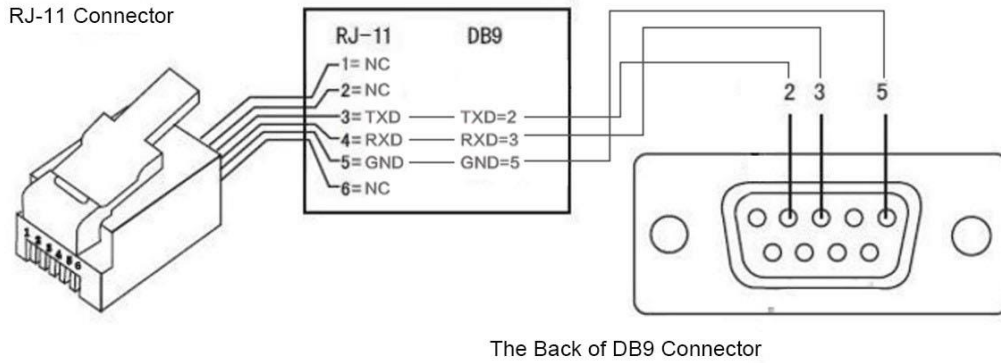
The Back Panel



Input Interface		
1	SDI	2×3G-SDI
2	HDMI	1×HDMI 2.0
3	DVI	4×DVI
Output Interface		
1	Port1-16	RJ45, 16 Gigabit Ethernet outputs, which can be arbitrarily spliced
Controlling Interface		
1	LAN	Network control (communication with PC, or access network)
2	USB_IN	USB input, which connects with PC to configure parameters
3	USB_OUT	USB output, cascading with the next controller
4	Genlock	Genlock signal input ensures synchronism of display image
5	Genlock Loop	Genlock synchronous signal loop output
6	RS232	RJ11 (6P6C) *, used to communicate via 3rd party interfaces
Power		
1	AC 100~240V	AC Power Interface

\* RJ11 and DB9 Conversion

Circuit Connection Diagram



Specifications

Input Index				
Port	Number	Resolution Specification		Remarks
SDI	2	1080p, 1080i, 720p		Supports YCbCr422
HDMI	1	EIA/CEA-861 Standard, in Accordance with HDMI-2.0 Standard, Support HDCP2.2	4096x2160@60Hz	Supports RGB444, YCbCr444, YCbCr422, YCbCr420
			1920x1080@60Hz	Supports RGB444, YCbCr444, YCbCr422, YCbCr420
DVI	4	VESA Standard, Support HDCP	1920x1080@60Hz	Supports RGB444, YCbCr444, YCbCr422, YCbCr420

Specification of Complete Machine	
Size	2U standard box
Input Voltage	AC 100~240V
Rated Power Consumption	70W
Working Temperature	-20℃~60℃
Weight	9kg

### Dimension

Unit: mm

